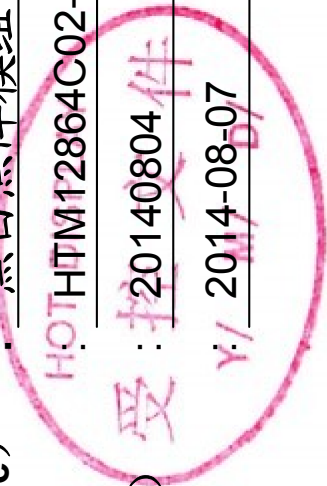




HTM12864C02-31W-N3P

产品名称 (Product name) : 黑白点阵模组
 型号 (Model) : HOT HTM12864C02-31W-N3P
 编号 (Part number) : 20140804
 日期 (Date) : 2014-08-07



深圳市鑫洪泰电子科技有限公司 Shenzhen Hot Display Technology Co.,Ltd		
编制 Prepared by	审核 Checked by	核准 Approved by
<i>[Signature]</i>	<i>[Signature]</i>	<i>[Signature]</i>

编码: QR-R-011 A/0

序号:

Rev.	Descriptions	Date
01	Preliminary Release	2014-08-07



鑫洪泰

HOT DISPLAY 为您提供专业的显示解决方案

HTM12864C02-31W-N3P

Table of Content

1. Bsaic Specifications	3
1.1 Display Specifications	3
1.2 Mechanical Specifications	3
1.3 Circuit Diagram	3
1.4 Terminal Function	4
1.5 Product Outline	5
1.6 Schematic Diagram	6
2. Absolute Maximum Ratings	7
3. Electrical Characteristics	7
3.1 DC Characteristics	7
3.2 LED Backlight Circuit	7
3.3 AC Characteristics	8
3.4 Reset Timing	11
4. Function specifications	11
4.1 The parallel Interface	11
4.2 The serial Interface	11
4.3 Basic Setting	12
4.4 Resetting the LCD module	12
4.5 Display Memory Map	12
4.6 Display Commands	13
4.7 Basic Operating Sequence	14
5. Inspection Standards	15
6. Handling Precautions	16
6.1 Mounting method	16
6.2 Cautions of LCD handling and cleaning	16
6.3 Caution against static charge	16
6.4 Packaging	16
6.5 Caution for operation	16
6.6 Storage	16
6.7 Safety	16
7. Packaging specifications	17

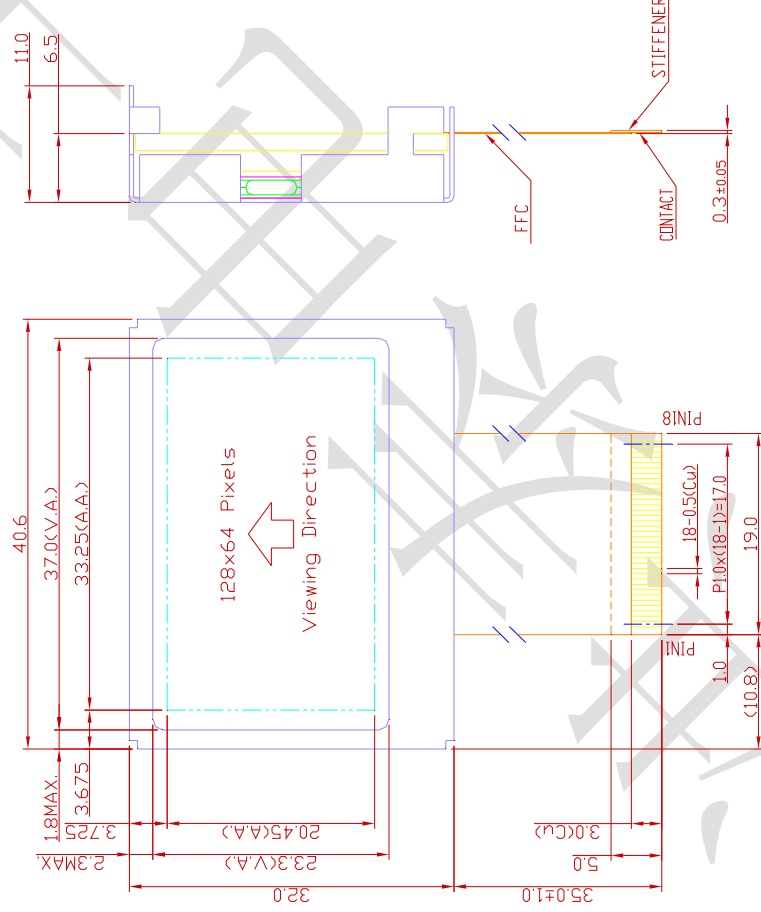
1. Basic Specifications

1.1 Display Specifications

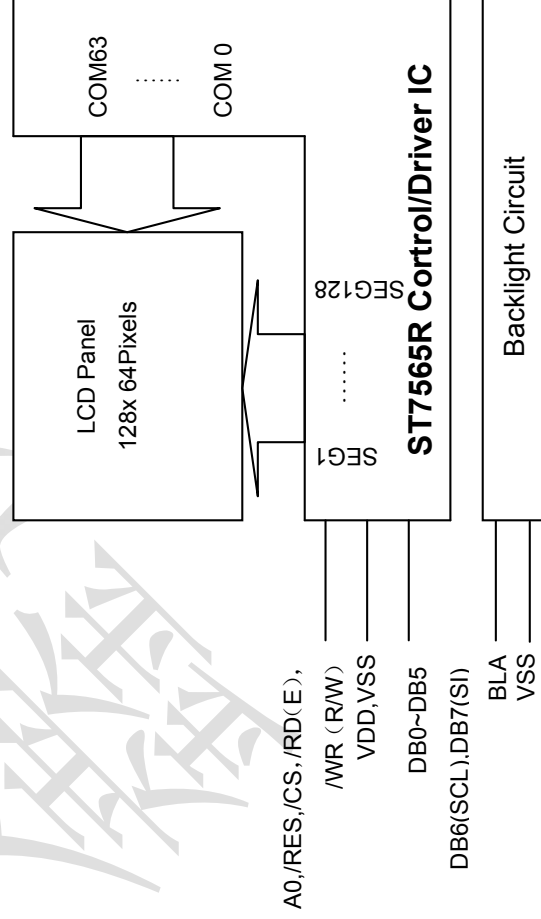
- 1>LCD Display Mode : FSTN, Positive, Transflective
- 2>Viewing Angle : 6H
- 3>Driving Method : 1/64 Duty, 1/9 Bias
- 4 >Backlight : White

1.2 Mechanical Specifications

- 1>Outline Dimension : 40.6X32.0 X 11.0mm (See attached Outline Drawing for Date)



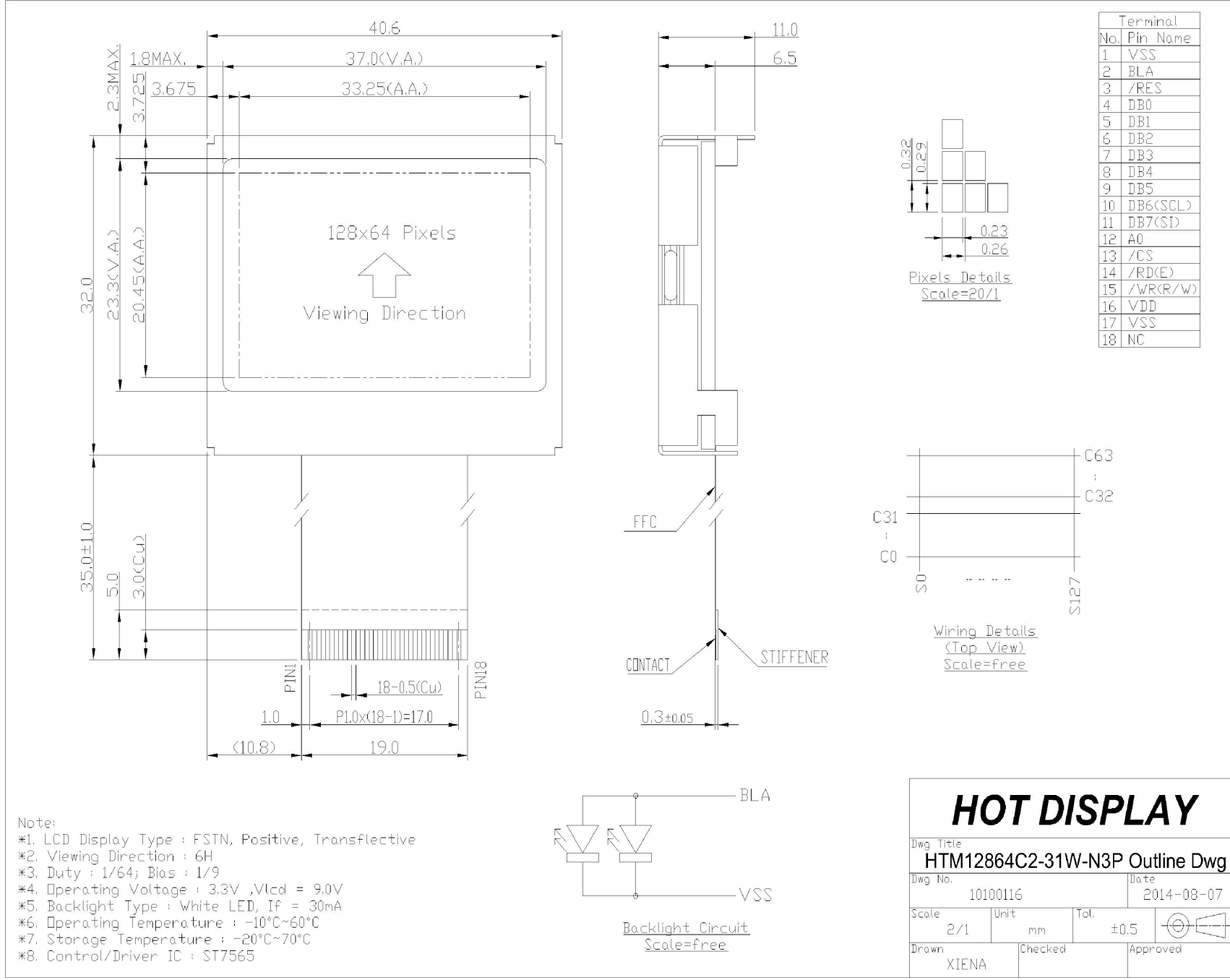
1.3 Circuit Diagram

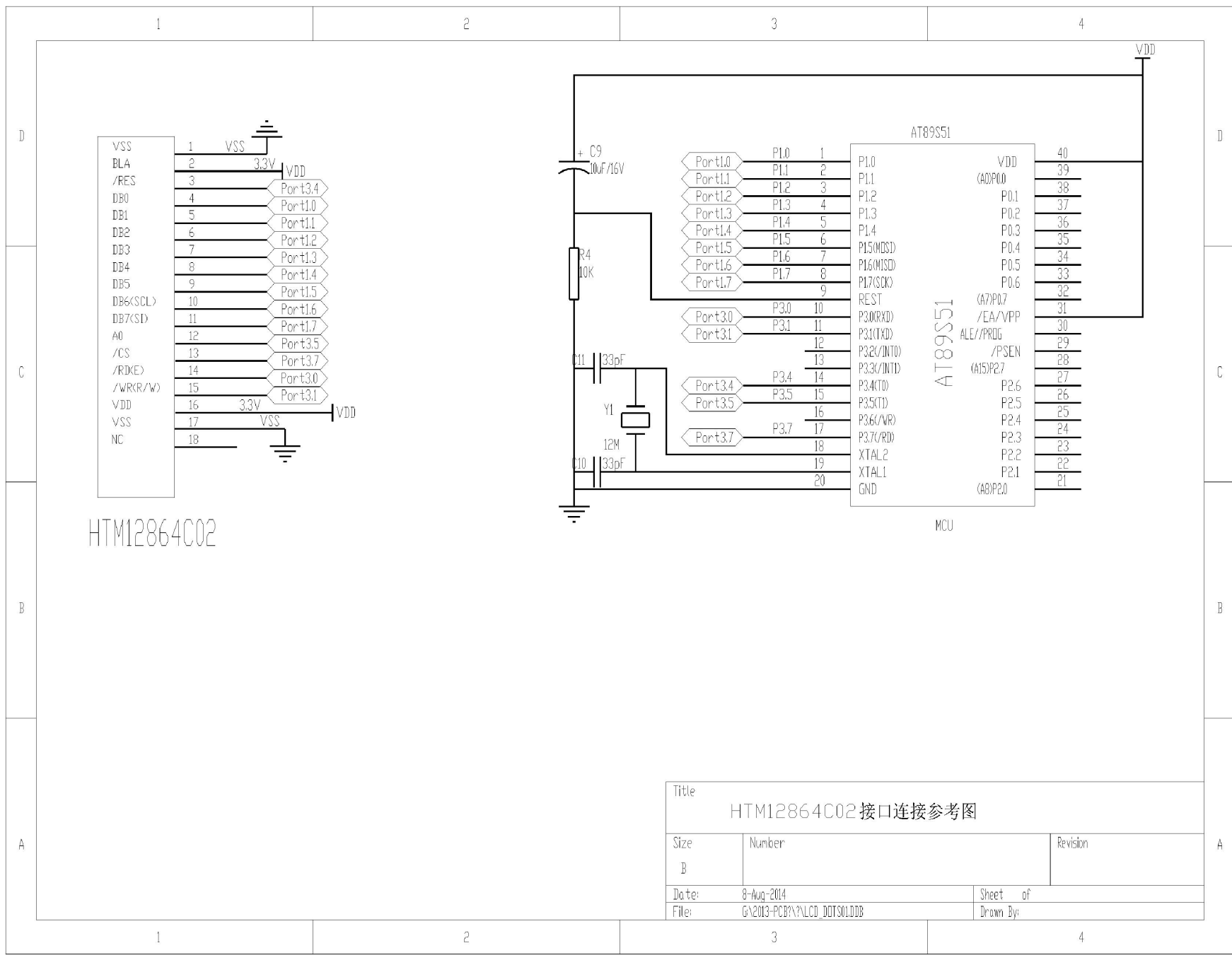


URL: www.hotlcd.com

**1.4 Terminal Function**

Pin No.	Pin Name	Function
1	VSS	Negative power supply,0V
2	BLA	Power supply voltage (Backlight)
3	/RES	Reset Pin (L->H)
4~11	DB0~DB5 DB6 (SCL) CB7 (SI)	8 bit data bus When the serial interface (SPI-4) is selected (P/S = "L") : D6 : the serial clock input (SCL) D7 : serial data input (SI) ;
12	A0	A0 = "H": Indicates that DB0to DB7 are display data. A0 = "L": Indicates that DB0to DB7 are control data
13	/CS	This is the chip select signal
14	/RE (E)	When connected to 8080 series MPU, this pin is treated as the "/RD" signal of the 8080 MPU and is LOW-active. The data bus is in an output status when this signal is "L". • When connected to 6800 series MPU, this pin is treated as the "E" signal of the 6800 MPU and is HIGH-active. This is the enable clock input terminal of the 6800 Series MPU.
15	/WR (R/W)	• When connected to 8080 series MPU, this pin is treated as the "/WR" signal of the 8080 MPU and is LOW-active. The signals on the data bus are latched at the rising edge of the /WR signal. • When connected to 6800 series MPU, this pin is treated as the "RAW "signal of the 6800 MPU and decides the access type : When R/W = "H": Read. When R/W = "L": Write.
16	VDD	Power supply voltage(3.3V)
17	VSS	Negative power supply,0V
18	NC	NC

1.5 Product Outline


1.6 Schematic Diagram


2. Absolute Maximum Ratings

Items	Symbol	MIN.	MAX.	Unit	Condition
Supply Voltage	V _{DD}	2.7	+3.3	V	V _{SS} = 0V
Input Voltage	V _{IN}	-0.3	V _{DD} +0.3	V	V _{SS} = 0V
Operating Temperature	T _{OP}	-10	+60	°C	No Condensation
Storage Temperature	T _{st}	-20	+70	°C	No Condensation

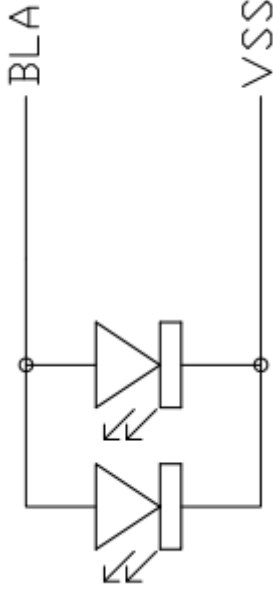
3. Electrical Characteristics

3.1 DC Characteristics

Items	Symbol	MIN.	TYP.	MAX.	Unit	Condition
Operating Voltage	V _{DD}	2.7	3.0	3.3	V	V _{DD}
Input High Voltage	V _{IH}	0.8 x V _{DD}	-	V _{DD}	V	/RES,A0,/RD (E), /WR (RW), /CS,
Input Low Voltage	V _{IL}	V _{SS}	-	0.2 x V _{DD}	V	
Output High Voltage	V _{OH}	0.8 x V _{DD}	-	V _{DD}	V	DB0~DB7
Output Low Voltage	V _{OL}	V _{SS}	-	0.2 x V _{DD}	V	
Operation Current (Without LED)	I _{op}	100	-	200	μA	V _{DD} =3.3V
Input Leakage Current	I _{LI}	-1.0	-	1.0	μA	V _{DD}
Output Leakage Current	I _{Lo}	-3.0	-	3.0	μA	V _{DD}

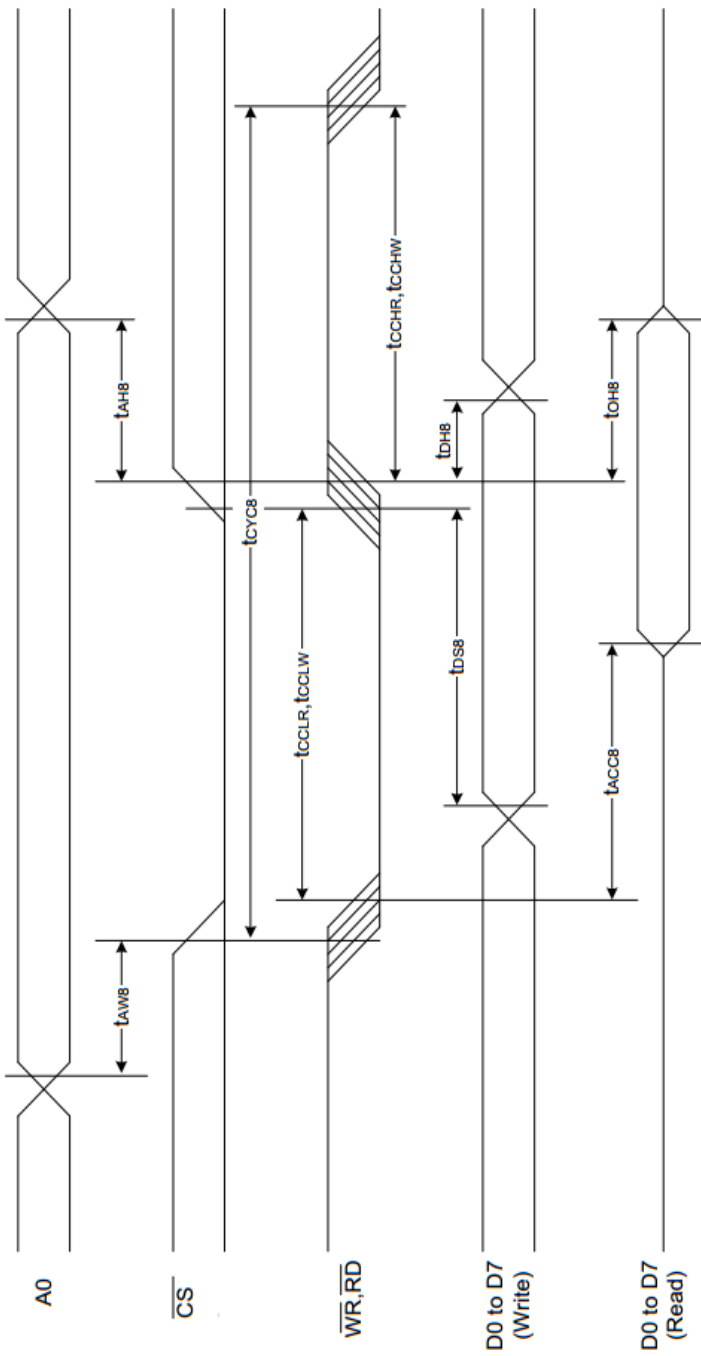
3.2 LED Backlight Circuit

Items	Symbol	MIN.	TYP.	MAX.	Unit	Condition
Forward Voltage	V _f BLA	-	3.3	-	V	-
Forward Current	I _f BLA	-	30	35	mA	-



3.3 AC Characteristics

3.3.1 The 8080 Series MPU



($V_{DD} = 3.3V, T_a = -30 \text{ to } 85^\circ\text{C}$)

Item	Signal	Symbol	Condition	Rating		Units
				Min.	Max.	
Address hold time	A0	t_{AH8}		0	—	
Address setup time		t_{AW8}		0	—	
System cycle time		t_{CYC8}		240	—	
Enable L pulse width (WRITE)	WR	t_{CCLW}		80	—	
Enable H pulse width (WRITE)		t_{CCHW}		80	—	
Enable L pulse width (READ)	RD	t_{CCLR}		140	—	Ns
Enable H pulse width (READ)		t_{CCHR}		80	—	
WRITE Data setup time	D0 to D7	t_{DS8}		40	—	
WRITE Address hold time		t_{DH8}		0	—	
READ access time		t_{ACC8}	CL = 100 pF	—	70	
READ Output disable time		t_{DHR}	CL = 100 pF	5	50	

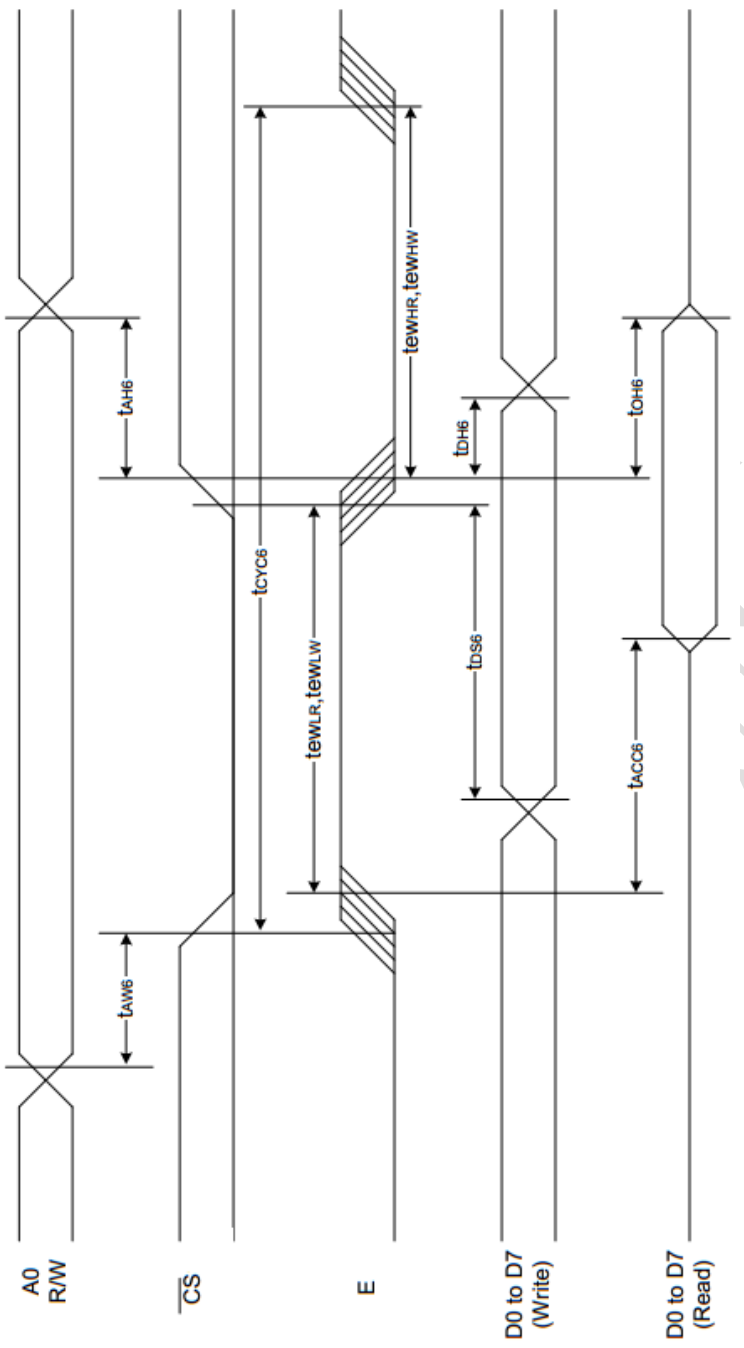


鑫洪泰

HOT DISPLAY 为您提供专业的显示解决方案

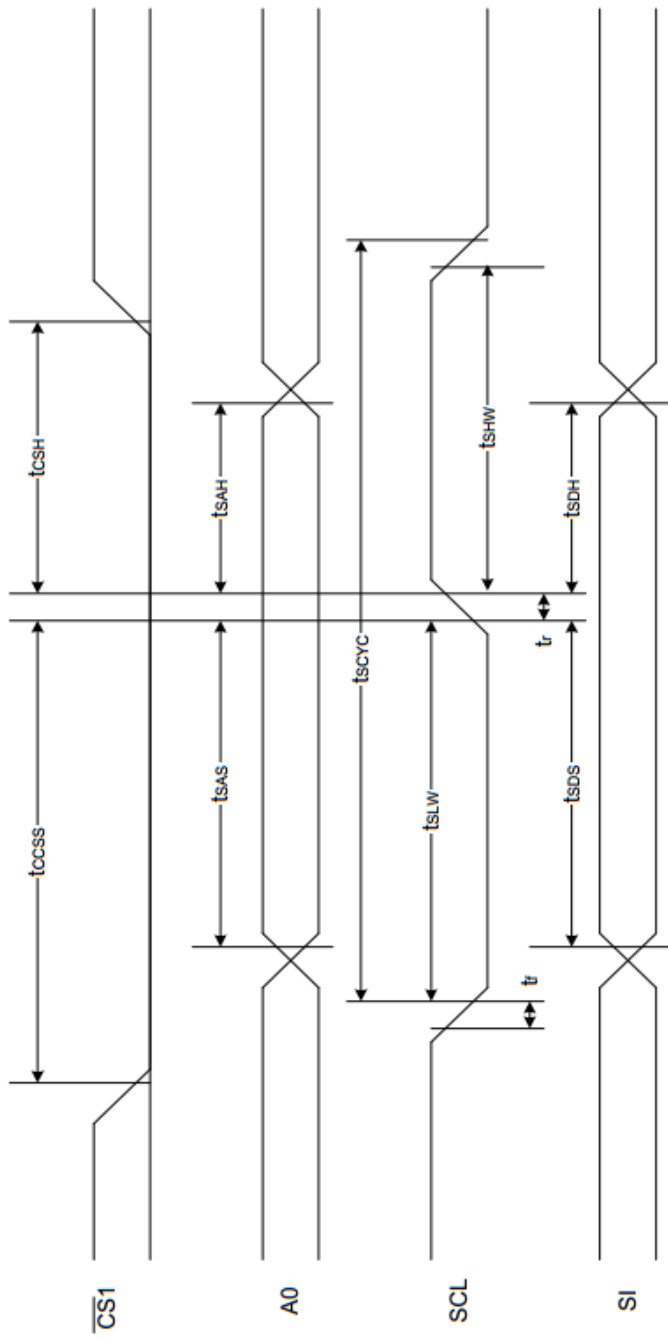
HTM12864C02-31W-N3P

3.3.2 The 6800 Series MPU



($V_{DD} = 3.3V, T_a = -30$ to $85^{\circ}C$)

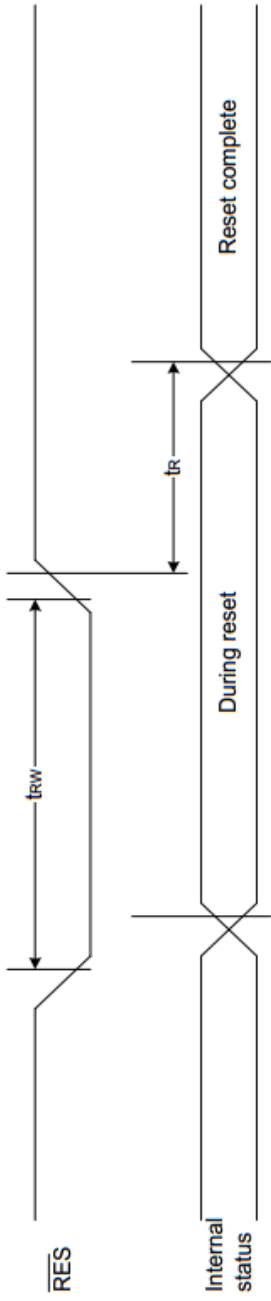
Item	Signal	Symbol	Condition	Rating		Units
				Min.	Max.	
Address hold time	A0	t_{AH6}		0	—	
Address setup time		t_{AW6}		0	—	
System cycle time		t_{CYC6}		240	—	
Enable L pulse width (WRITE)	WR	t_{EHLR}		80	—	ns
Enable H pulse width (WRITE)		t_{EWLW}		80	—	
Enable L pulse width (READ)	RD	t_{DHL6}		80	—	ns
Enable H pulse width (READ)		t_{OH6}		140	—	
WRITE Data setup time	D0 to D7	t_{DS6}		40	—	
WRITE Address hold time		t_{DHL6}		0	—	
READ access time	D0 to D7	t_{ACC6}		—	70	
READ Output disable time		t_{OH6}		5	50	

3.3.3 Serial Mode Interface

Figure 39
Table 30

($V_{DD} = 3.3V, T_a = -30 \text{ to } 85^\circ\text{C}$)

Item	Signal	Symbol	Condition	Rating		Units
				Min.	Max.	
4-line SPI Clock Period		T_{scyc}		50	—	
SCL "H" pulse width	SCL	T_{shw}		25	—	
SCL "L" pulse width	SCL	T_{slw}		25	—	
Address setup time	A0	T_{sas}		20	—	
Address hold time	A0	T_{sah}		10	—	ns
Data setup time	SI	T_{sds}		20	—	
Data hold time	SI	T_{sdh}		10	—	
CS-SCL time	CS	T_{css}		20	—	
CS-SCL time	CS	T_{csh}		40	—	

3.4 Rest Timing



$(V_{DD} = 3.3V, T_a = -30 \text{ to } 85^\circ\text{C})$

Item	Signal	Symbol	Condition	Rating		Units
				Min.	Max.	
Reset time		t_r		—	1.0	US
Reset "L" pulse width	$/RES$	t_{rw}		1.0	—	US

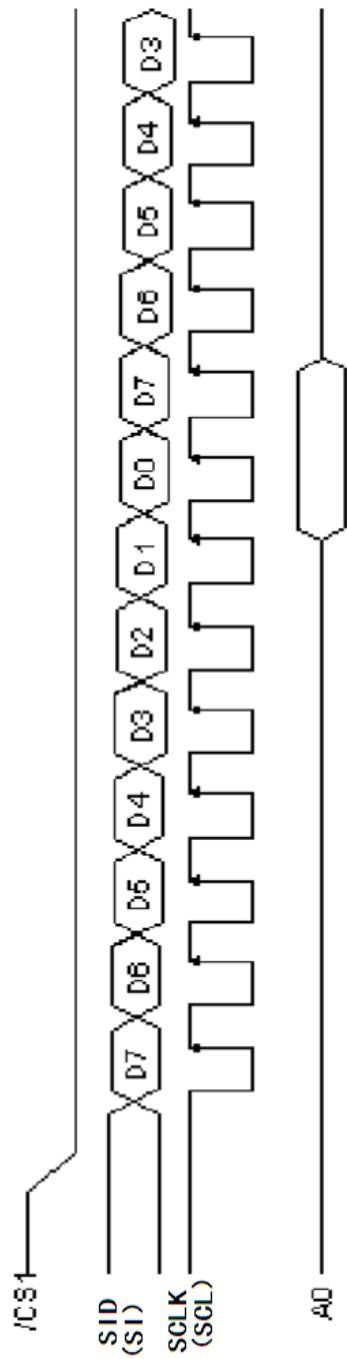
4. Function specifications

4.1 The parallel interface

Shared	6800 Series		8080 Series		Function
	R/W	/RD	/RD	/WR	
A0	1	0	0	1	Reads the display data
1	0	1	1	0	Writes the display data
0	1	0	0	1	Status read
0	0	1	1	0	Write control data (command)

4.2The serial interface

When the serial interface has been selected then when the chip is in active state the serial data input(SI) and the serial clock(SCL) can be received. The serial data is read from the serial data input pin in the rising edge of the serial clock . When "A0"="H", the data is display data, and when "A0"="L", the data is command.



4.3 Basic Setting

To drive the LCD module correctly and provide normally display, please use the following setting

- 1> ADC = 0 (normal)
- 2> SHL select = 0(normal)
- 3> LCD Bias Select = 1/9
- 4> Initial Display Line = 1
- 5> Entire Display ON/OFF = OFF(normal)
- 6> Reverse Display ON/OFF = OFF(normal)
- 7> Set Power Control Set:
Voltage follower = ON, voltage converter = ON, Voltage regulator = ON
- 8> Display ON/OFF = ON

4.4 Resetting the LCD module

The LCD module should be initialized by using /RES terminal.
While turning on the VDD and VSS power supply, maintain /RES terminal at LOW level, After the Power supply stabilized, release the reset terminal(/RES = High)

4.5 Display Memory Map

PAGE	SEG0	SEG1	COL			
PAGE0	D7 D0	D7 D0	----- -----	SEG125	SEG126	SEG127
PAGE1						
			Pixels:128X64			
PAGE6						
PAGE7	D7 D0	D7 D0	----- -----	D7 D0	D7 D0	D7 D0

**鑫洪泰****HOT DISPLAY 为您提供专业的显示解决方案****HTM12864C02-31W-N3P****4.6 Display Commands**

No.	Instructions	Code								Function		
		AD	R/W	LD	DD	DD	DD	DD	DD			
1	Display ON/OFF	0	1	0	1	0	1	0	1	1	DON=0,display off DON=1,display on	
2	Display start line set	0	1	0	0	1	0	0	Display start address		Set the display RAM display start line address	
3	Set Page Address	0	1	0	1	0	1	1	Page address		Set the display RAM Page address	
4	Ser Column Address (Upper-4 bits)	0	1	0	0	0	0	1	Col. Add		Set the upper-4-bit of column address counter	
	Ser Column Address (Lower-4 bits)	0	1	0	0	0	0	0	Col. Add		Set the low-4-bit of column address counter	
5	Read Staus	0	0	1	Status			0	0	0	0	Read the status data
6	Write Display Data	1	1	0	Write Data						Write data into the display RAM	
7	Read Display Data	1	0	1	Read Data						Read data from the display RAM	
8	ADC Select	0	1	0	1	0	0	0	0	0	ADC	Set the display RAM address SEG output Correspondence ADC = 0,Normal. ADC = 1,Reverse
9	Normal/Reverse Display	0	1	0	1	0	1	0	0	1	REV	REV = 0, Normal REV = 1, Reverse
10	Entire Display ON/OFF	0	1	0	1	0	1	0	0	1	EON	EON = 0, Normal EON = 1, Entire display ON
11	Set LCD Bias	0	1	0	1	0	1	0	0	1	BIAS	Bias = 0, 1/9 Bias Bias = 1, 1/7 Bias
12	Set Read-Modify-Write	0	1	0	1	1	0	0	0	0	0	Enter the "Read-Modify-Write" mode
13	Reset Read-Modify-Write	0	1	0	1	1	1	0	1	1	0	Clear the "Read-Modify-Write" mode
14	Reset	0	1	0	1	1	1	0	0	0	1	Resets the LCD module
15	SHL S elect	0	1	0	1	1	0	0	*	*	*	Set the COM scanning direction SHL = 0, Normal SHL = 1, Flipped in y-direction * = don't care terms
16	Power Control Set	0	1	0	0	0	1	0	1	0	VF	Set the power circuit operation mode VF : LCD Supply Voltage Follower VR : LCD Supply Voltage Regulator VF : LCD Supply Voltage Converter (1 = ON, 0 = OFF)
17	Regulator Resistor Select	0	1	0	0	0	1	0	0	0	Ratio	Set the built-in resistor ratio (Rb/Ra)
18	Electronic volume mode set	0	1	0	1	0	0	0	0	0	1	Set reference voltage mode
	Electronic volume register set	0	1	0	*	Electronic Control value				Set reference voltage register		
19	Power Save	-	-	-	-	-	-	-	-	-	-	Compound instruction Display OFF + Entire Display ON
20	NOP	0	1	0	1	1	0	0	0	1	1	Non-operation command

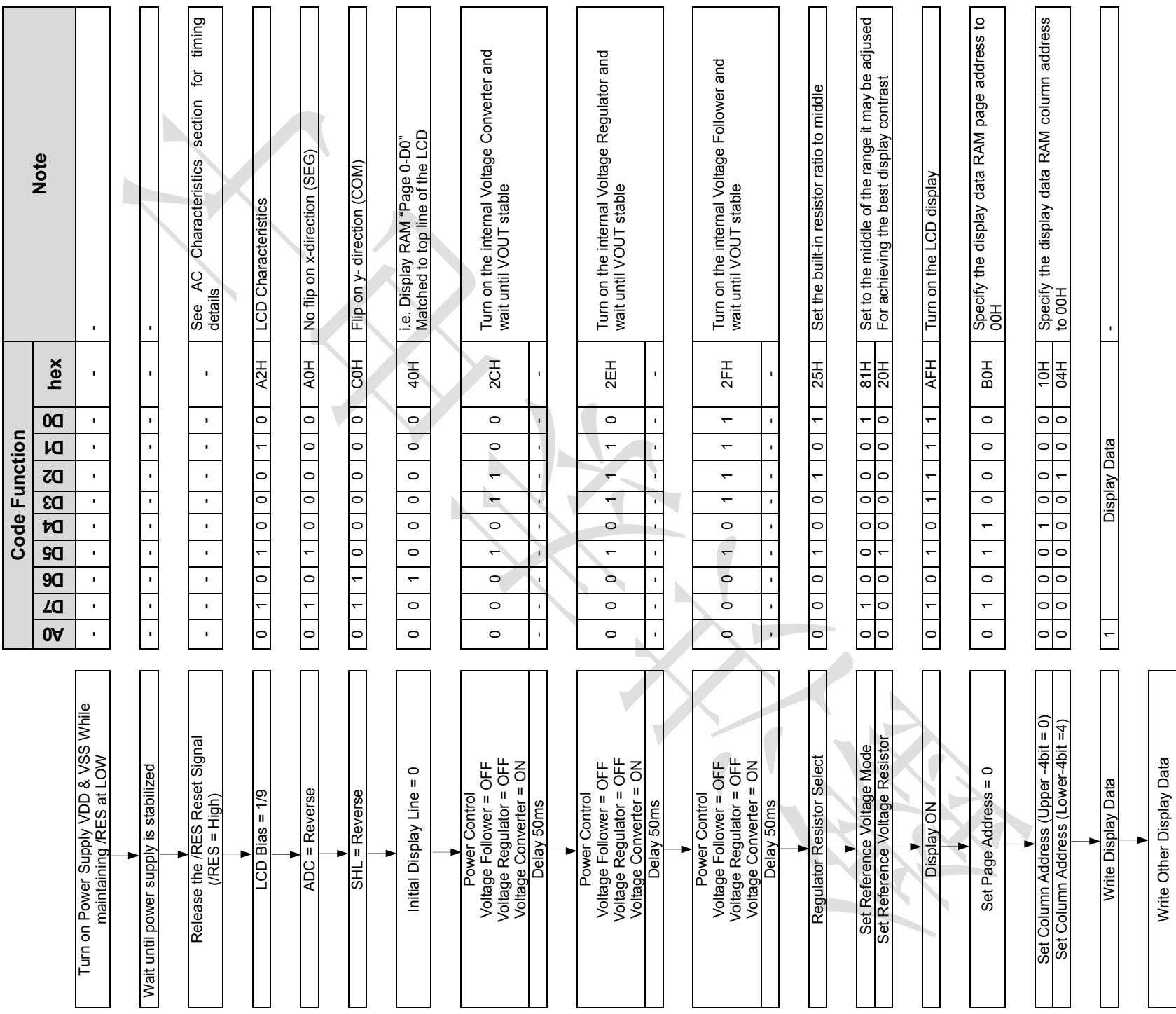
Note:***a. For the details of the Display Commands, please refer to ST7565R data sheet**



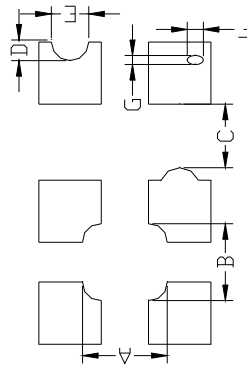
为您提供专业的显示解决方案

HTM12864C02-31W-N3P

4.7 Basic Operating Sequence Initialization Sequence



5. Inspection Standards

Item	Criterion for defects	Defect type
1) Display on inspection	(1) Non display (2) Vertical line is deficient (3) Horizontal line is deficient (4) Cross line is deficient	Major
2) Black / White spot	Acceptable number Ignore (note) 3 0.3< ϕ ≤0.45 1 0.45< ϕ ≤0.6 0 0.6< ϕ	Minor
3) Black / White line	Length (mm) Width (mm) L≤10 W≤0.03 5.0≤L≤10 0.03<W≤0.04 5.0≤L≤10 0.04<W≤0.05 1.0≤L≤10 0.05<W≤0.06 1.0≤L≤10 0.06<W≤0.08 L≤10 0.08<W Defects separate with each other at an interval of more than 20mm	Minor
4) Display pattern	 $\frac{A+B \leq 0.28}{2}$ $0 < C$ $D+E \leq 0.25$ $\frac{F+G \leq 0.25}{2}$ Note: 1) Up to 3 damages acceptable 2) Not allowed if there are two or more pinholes every three-fourth inch.	Minor
5) Spot-like contrast irregularity	Acceptable Number Ignore (note) 3 0.7< ϕ ≤1.0 1 1.0< ϕ ≤1.5 0 1.5< ϕ Note: 1) Conformed to limit samples. 2) Intervals of defects are more than 30mm.	Minor
6) Bubbles in polarizer	Acceptable Number Ignore (note) 2 0.4< ϕ ≤0.65 1 0.65< ϕ ≤1.2 0 1.2< ϕ	Minor
7) Scratches and dent on the polarizer	Scratches and dent on the polarizer shall be in the accordance with "2) Black/white spot", and "3) Black/White line".	Minor
8) Stains on the surface of LCD panel	Stains which cannot be removed even when wiped lightly with a soft cloth or similar cleaning.	Minor
9) Rainbow color	No rainbow color is allowed in the optimum contrast on state within the active area.	Minor
10) Viewing area encroachment	Polarizer edge or line is visible in the opening viewing area due to polarizer shortness or sealing line.	Minor
11) Bezel appearance	Rust and deep damages that are visible in the bezel are rejected.	Minor
12) Defect of land surface contact	Evident crevices that are visible are rejected.	Minor
13) Parts mounting	(1) Failure to mount parts (2) Parts not in the specifications are mounted (3) For example: Polarity is reversed, HSC or TCP falls off.	Minor
14) Part alignment	(1) LSI, IC lead width is more than 50% beyond pad outline. (2) More than 50% of LSI, IC leads is off the pad outline.	Minor
15) Conductive foreign matter (solder ball, solder hips)	(1) 0.45< ϕ , N≥1 (2) 0.3< ϕ ≤0.45, N≥1, ϕ : Average diameter of solder ball (unit: mm) (3) 0.5<L, N≥1, L: Average length of solder chip (unit: mm)	Minor
16) Bezel flaw	Bezel claw missing or not bent	Minor
17) Indication on name plate (sampling indication label)	(1) Failure to stamp or label error, or not legible.(all acceptable if legible) (2) The separation is more than 1/3 for indication discoloration, in which the characters can be checked.	Minor

6. Handling Precautions

6.1 Mounting method

A panel of LCD module made by our company consists of two thin glass plates with polarizers that easily get damaged. And since the module is so constructed as to be fixed by utilizing fitting holes in the printed circuit board (PCB), extreme care should be used when handling the LCD modules.

6.2 Cautions of LCD handling and cleaning

When cleaning the display surface, use soft cloth with solvent (recommended below) and wipe lightly.

- Isopropyl alcohol
- Ethyl alcohol
- Trichlorotrifluoroethane

Do not wipe the display surface with dry or hard materials that will damage the polarizer surface.

Do not use the following solvent:

- Water
- Ketene
- Aromatics

6.3 Caution against static charge

The LCD module uses C-MOS LSI drivers. So we recommend you:

Connect any unused input terminal to V_{dd} or V_{ss} . Do not input any signals before power is turned on, and ground your body, work/assembly areas, assembly equipment to protect against static electricity.

6.4 Packaging

Module employs LCD elements, and must be treated as such. Avoid intense shock and falls from a height.

-To prevent modules from degradation, do not operate or store them exposed direct to sunshine or high temperature/humidity.

6.5 Caution for operation

-It is an indispensable condition to drive LCD module within the limits of the specified voltage since the higher voltage over the limits may cause the shorter life of LCD module.

-An electrochemical reaction due to DC (direct current) causes LCD undesirable deterioration so that the uses of DC (direct current) drive should be avoided.

-Response time will be extremely delayed at lower temperature than the operating temperature range and on the other hand at higher temperature LCD module may show dark color in them. However those phenomena do not mean malfunction or out of order of LCD module, which will come back in the specified operating temperature.

6.6 Storage

In the case of storing for a long period of time, the following ways are recommended:

- Storage in polyethylene bag with the opening sealed so as not to enter fresh air outside in it. And with not desiccant.
- Placing in a dark place where neither exposure to direct sunlight nor light is. Keeping the storage temperature range.
- Storing with no touch on polarizer surface by any thing else.

6.7 Safety

- It is recommendable to crash damaged or unnecessary LCD into pieces and to wash off liquid crystal by either of solvents such as acetone and ethanol, which should be burned up later.
- When any liquid leaked out of a damaged glass cell comes in contact with your hands, please wash it off well at once with soap and water.

7. Packaging Specifications

		Packaging Specifications				Approved	Checked	Designed
		HTM12864C02						

6.1 Packaging Material

No	Item	Dimensions (mm)	IPCS Weight (KG)	Quantity	Total Weight
1	LCM	40.6*32.2*11.0	0.015	400	6.0
2	PE Bag	80*80	0.001	400	0.3
3	Foam Rubber Cushion	310*170	0.0175	8	0.21
4	Partition AI	310*170*100	0.30	4	1.8
5	Product Box	330*180*120 (neutral packing)	0.45	4	2.7
6	Carton	480*390*330 (neutral packing)	1.0	1	1.0
7	Tape			AR	
8	Label Specifications			1	
9	Label Rohs			1	
10	Label ESD			1	

6.2. Total LCD Weight in carton: 12.0 KG±10%

6.3. Packaging Specifications and Quantity:

(1) Quantity Of Spacer: AI*4

(2) Total LCM quantity in carton: quantity per box 100* no of boxes 4 =400

